

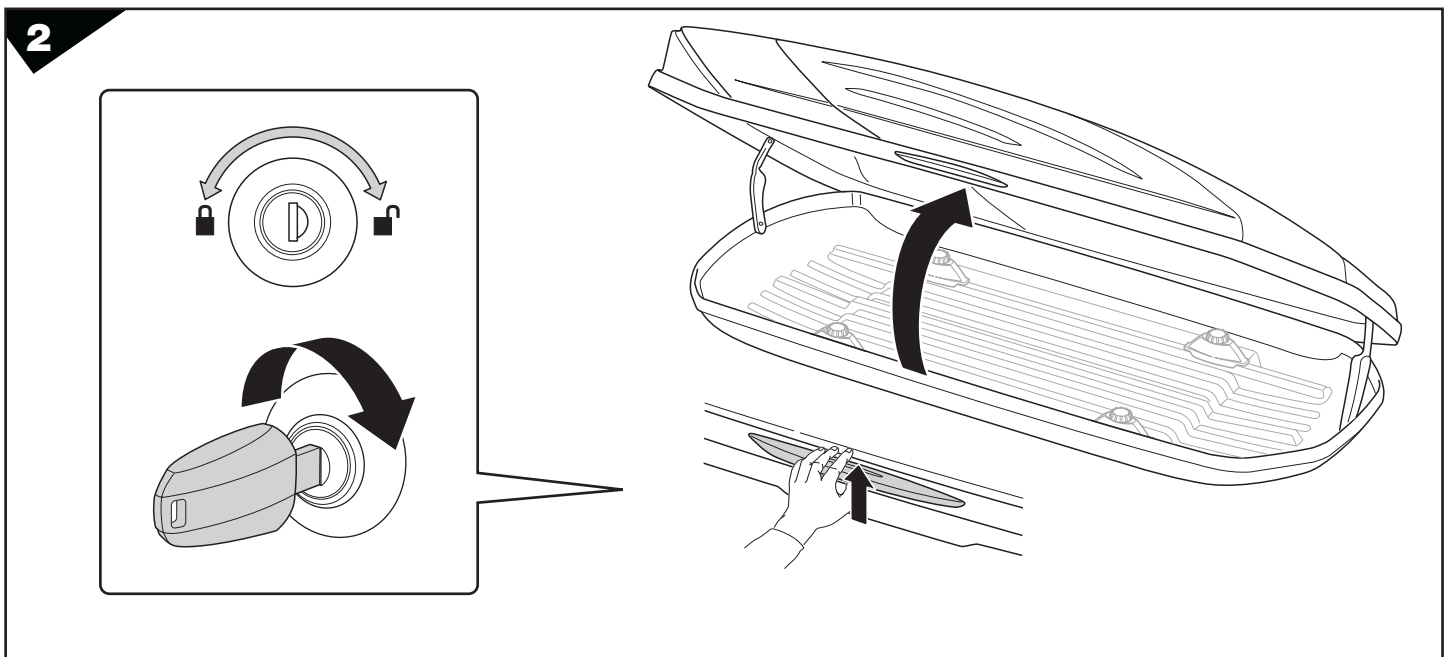
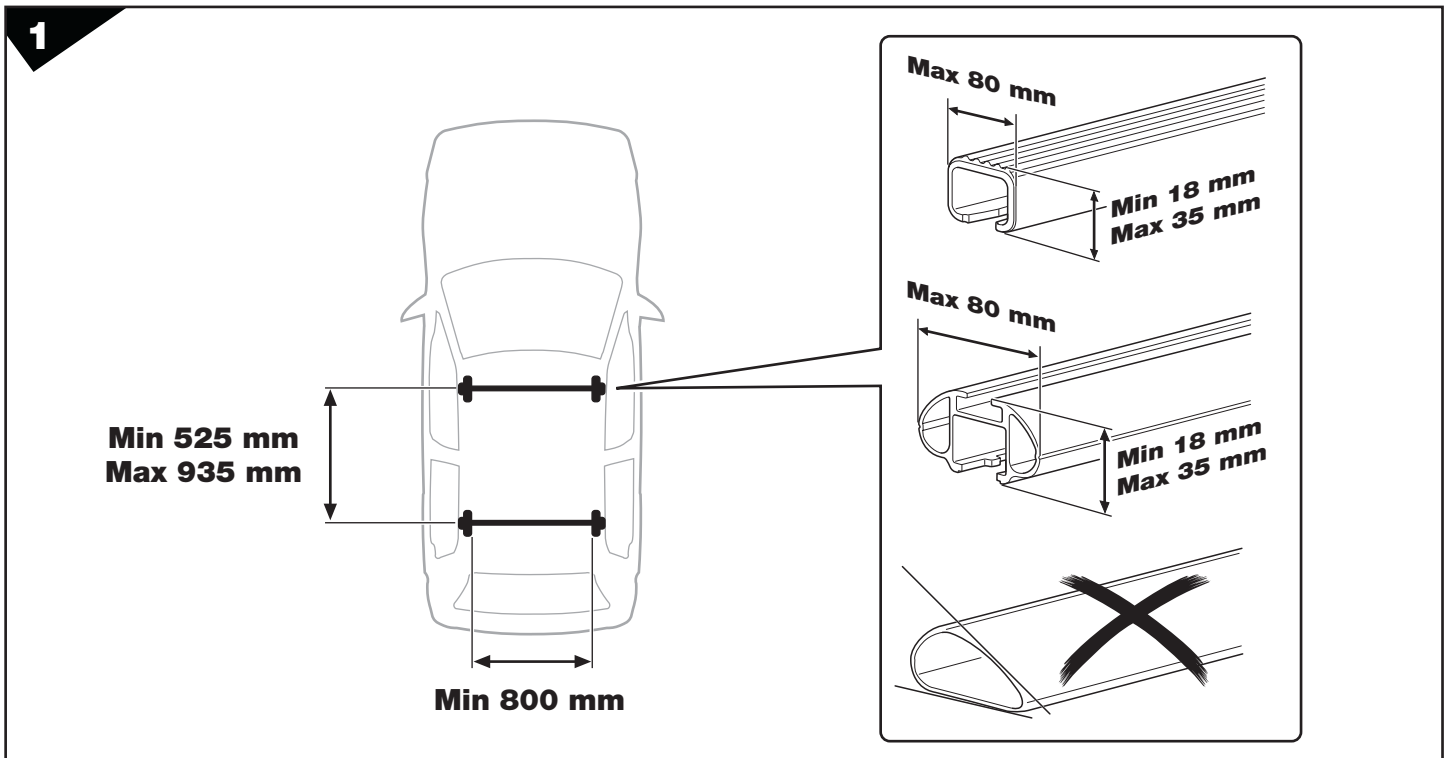
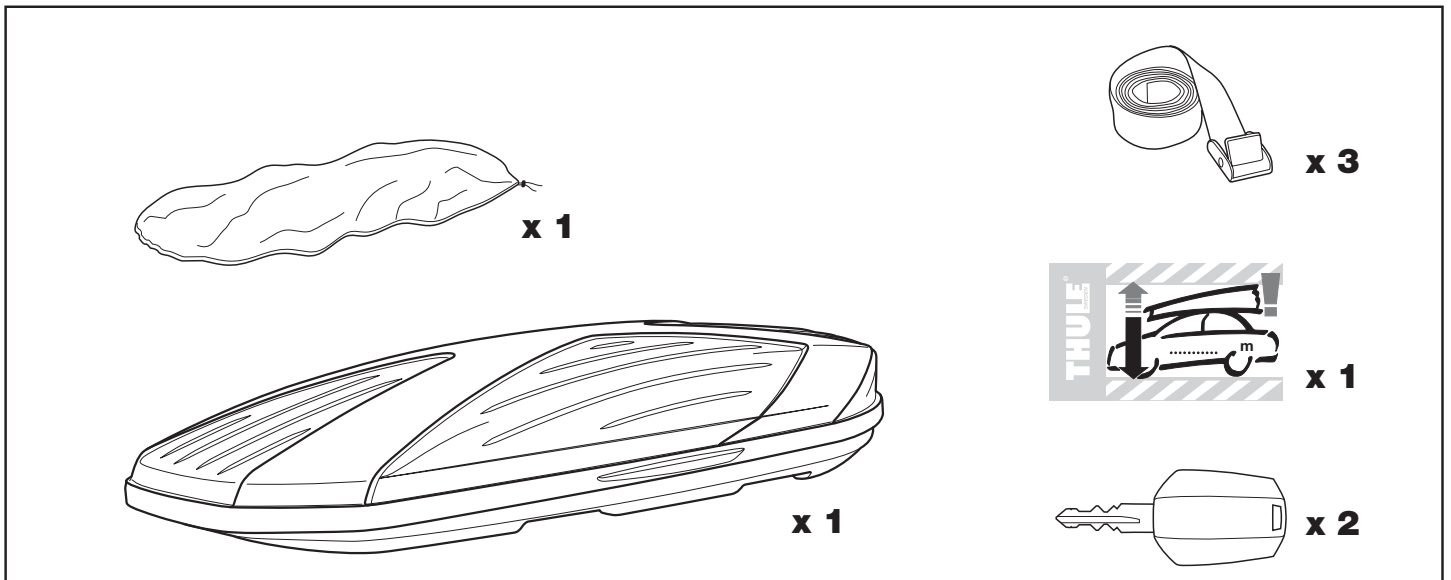
GB Fitting instructions
D Montageanleitung
F Instructions de montage
NL Montage-instructies
I Istruzioni per il montaggio
E Instrucciones de montaje
PT Instruções de Montagem
S Monteringsanvisning
FIN Asennusohje
EST Paigaldusjuhend
LAT Stiprināšanas instrukcija
LIT Pritvirtinimo instrukcijos
PL Instrukcja montażu
RU Инструкции по установке
CZ Návod na montáž

SK Návod na montáž
SLO Navodila za pritrjevanje
HR Uputa za sastavljanje
HU A felszerelés módja
GR Οδηγίες συναρμολόγησης
TR Montaj talimatları
中文 安装说明
日本語 取扱(取付)説明書
한국어 장착 지침
ไทย คำแนะนำการติดตั้ง

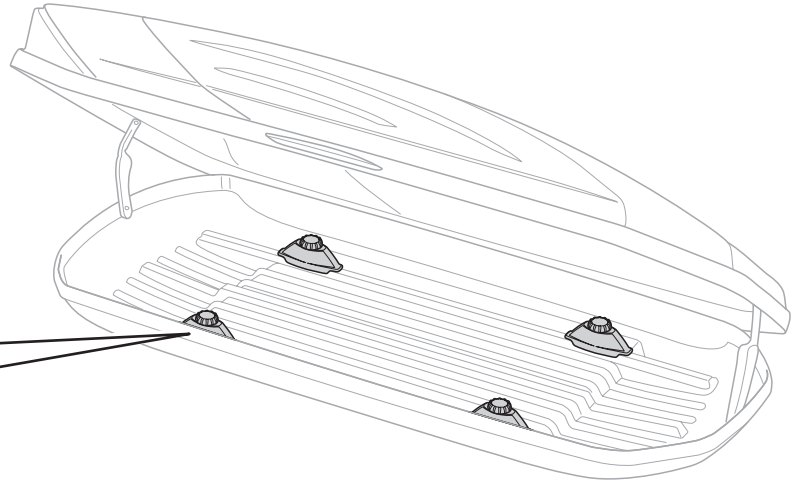
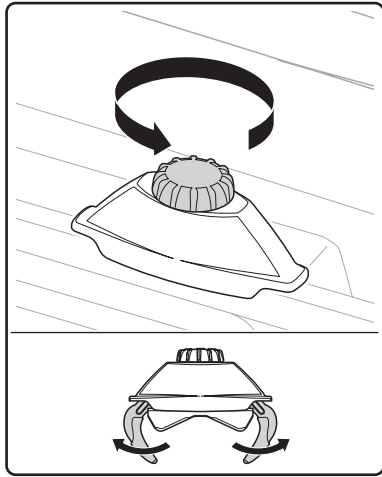


Excellence

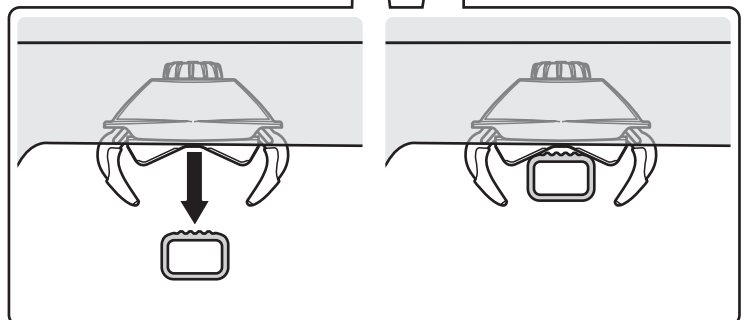
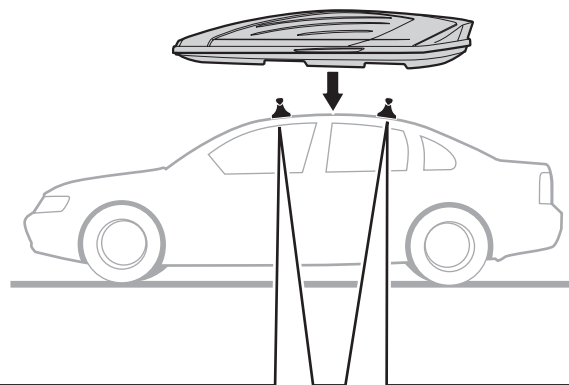
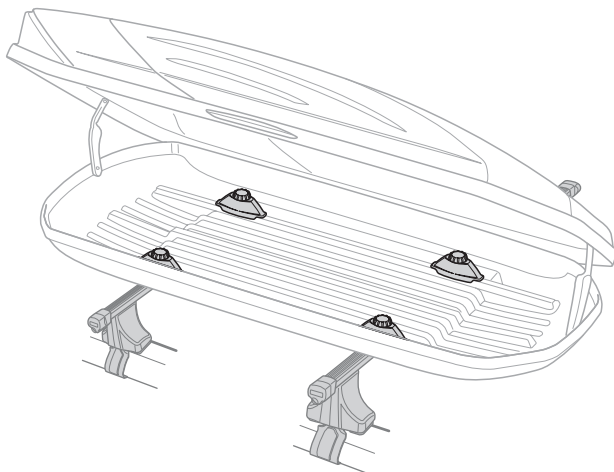
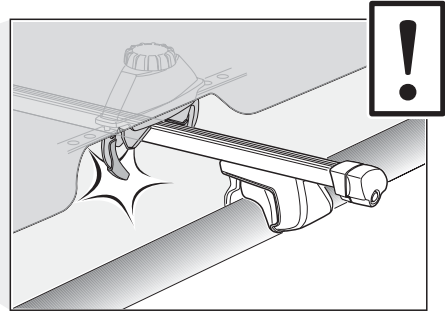
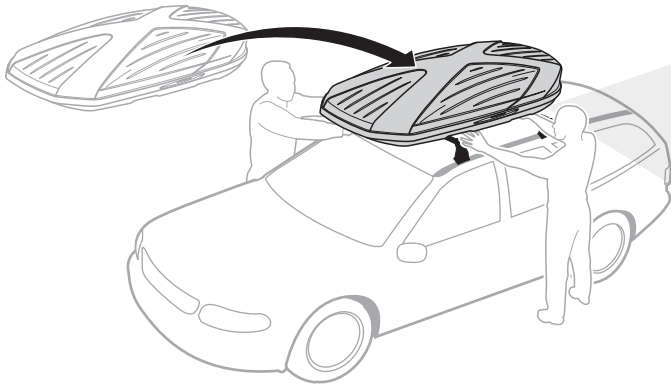
Follow me...



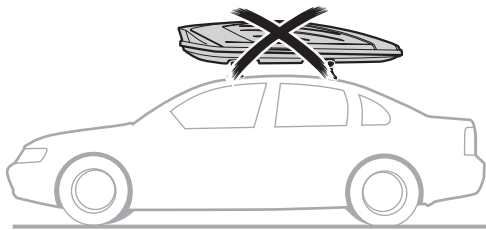
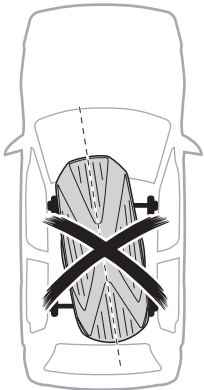
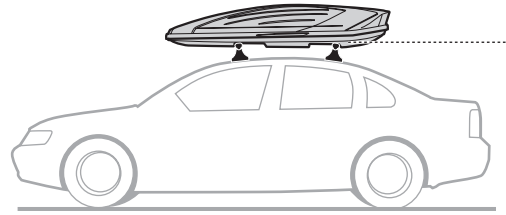
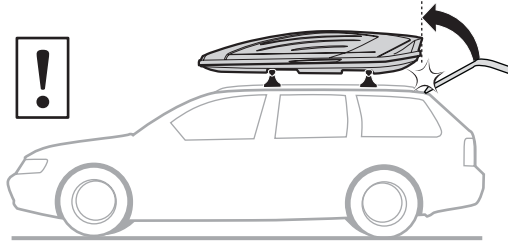
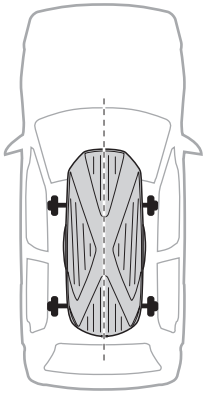
3



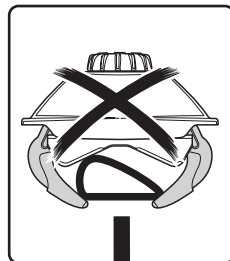
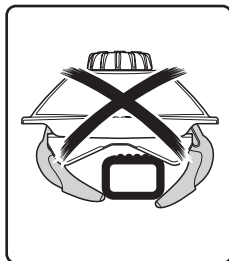
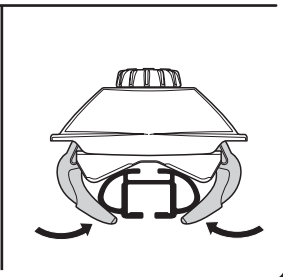
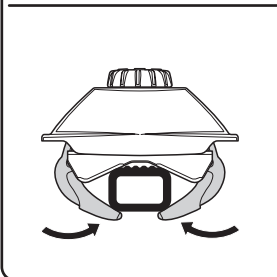
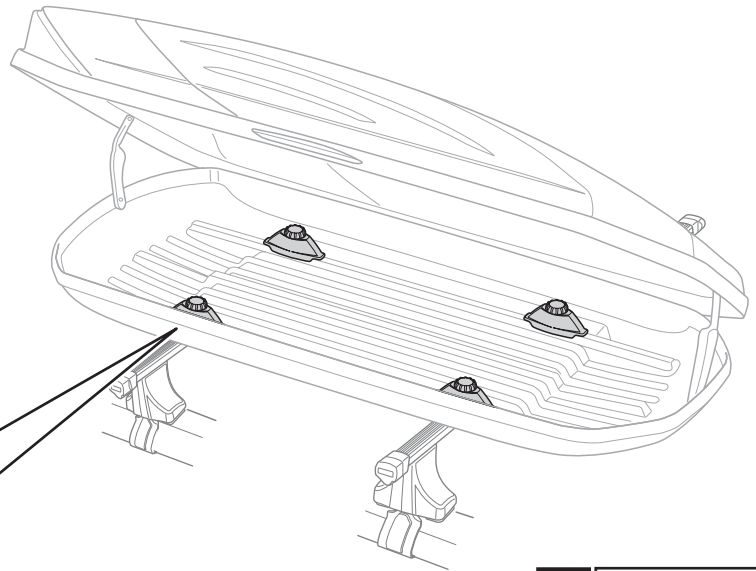
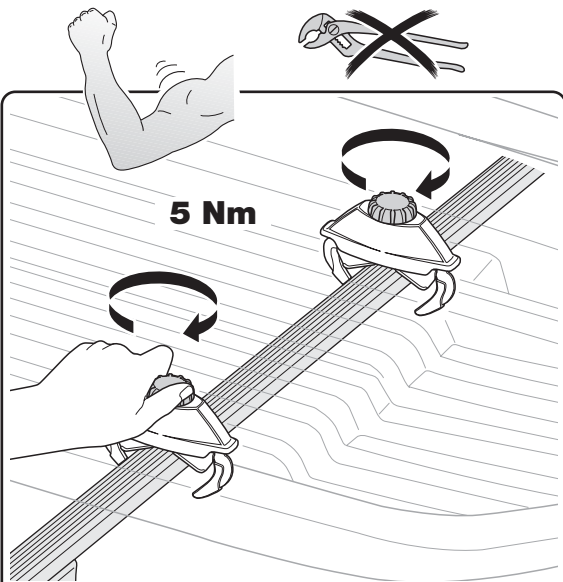
4



5



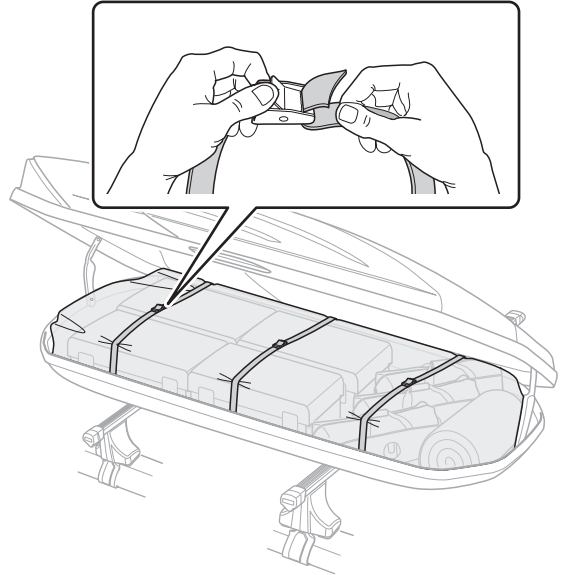
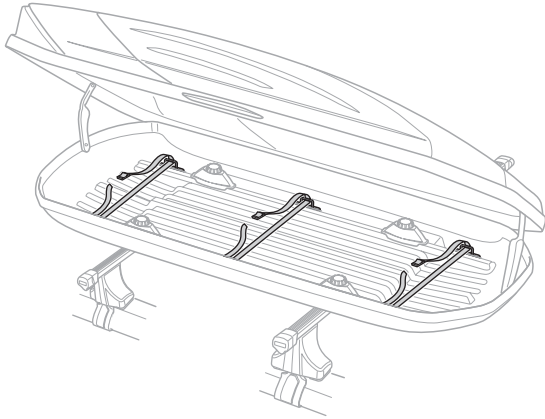
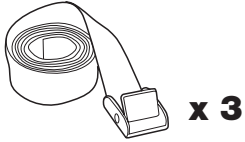
6



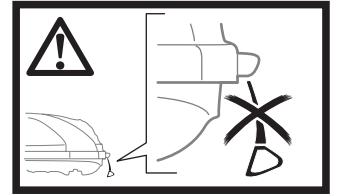
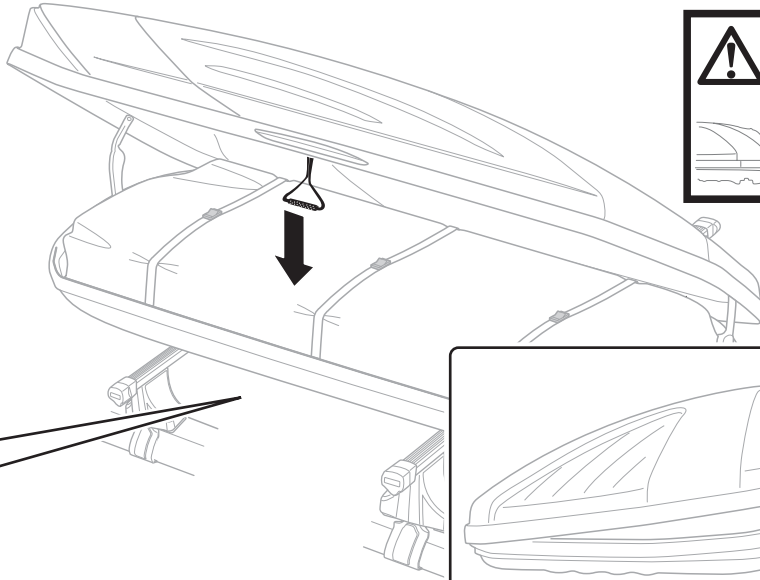
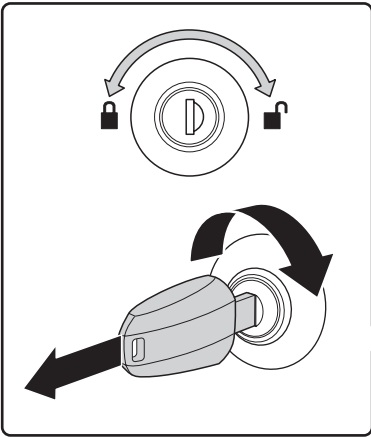
Thule T-Nut Adapter

696400
697400

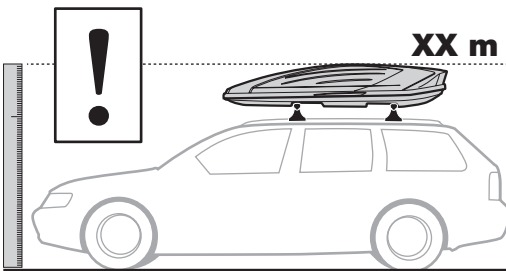
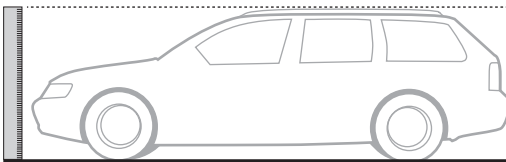
7



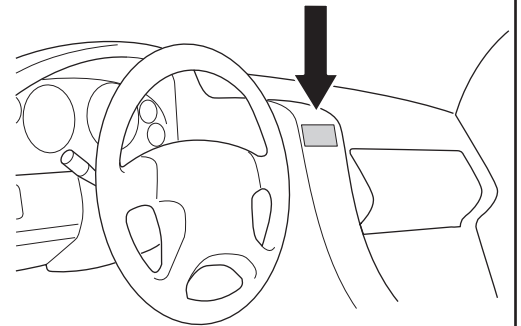
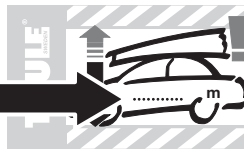
8

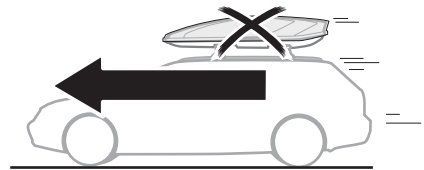
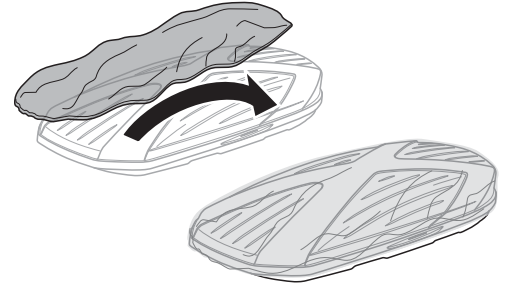
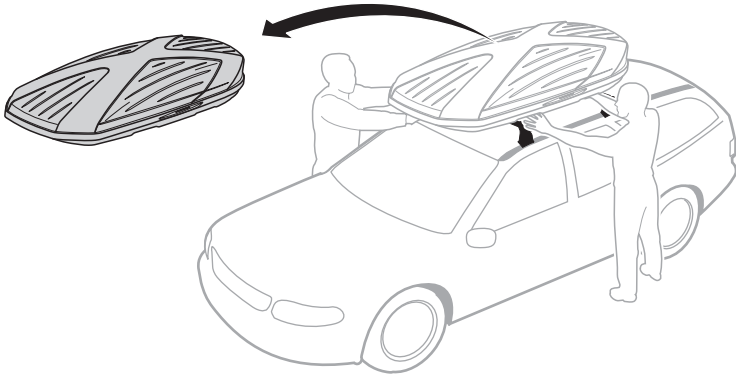
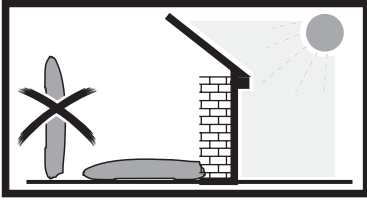


9



XX m





GB Accessories
D Zubehör
F Accessoires
NL Accessoires
I Accessori
E Accesorios
PT Acessórios

S Tillbehör
FIN Lisävarusteet
EST Lisavarustus
LAT Piederumi
LIT Priedai
PL Akcesoria
RU Аксессуары

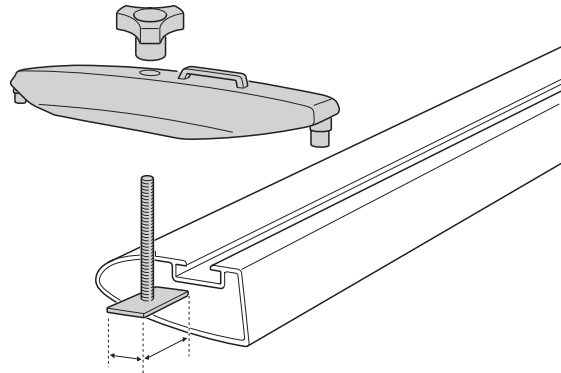
CZ Doplnky
SK Príslušenstvo
SLO Dodatki
HR Dodaci
HU Tartozékok
GR Παρελκόμενα
TR Aksesuarlar

中文 附件
 日本語 付属品
 한국어 액세서리
 ไทย อุปกรณ์เสริม

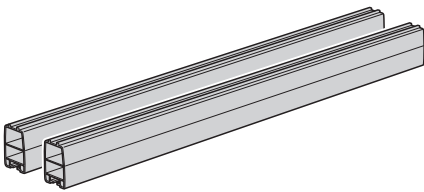
Thule T-Nut Adapter

696400 → 24x30 mm

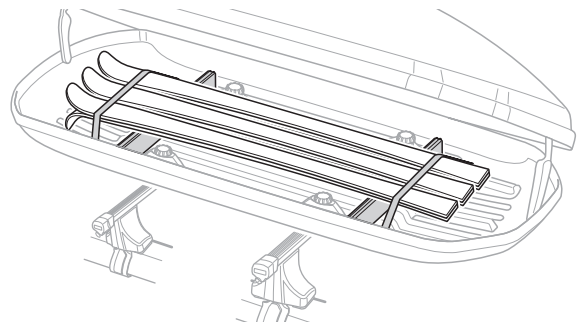
697400 → 20x20 mm

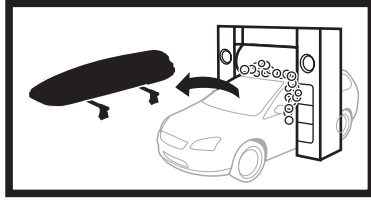
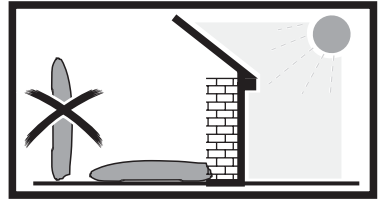
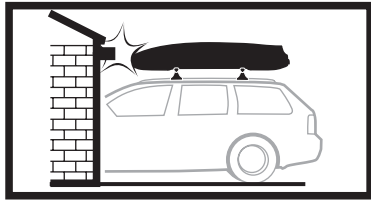
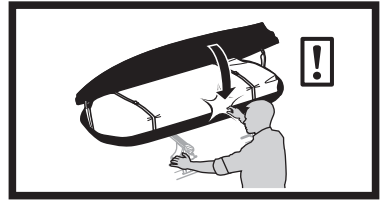
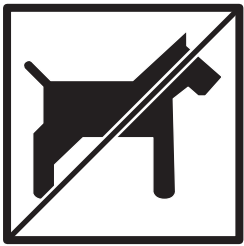
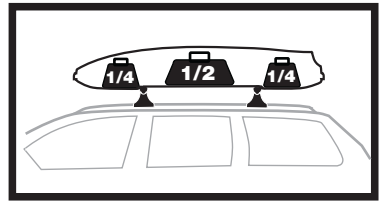
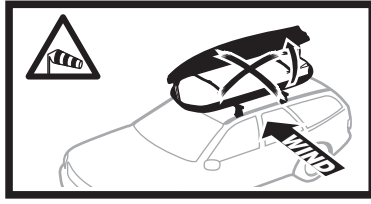
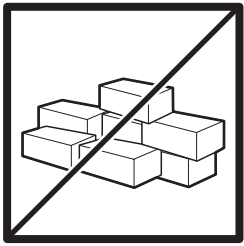
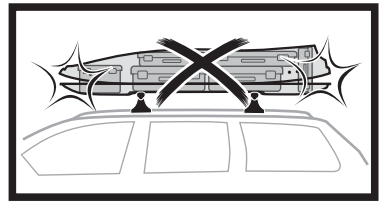
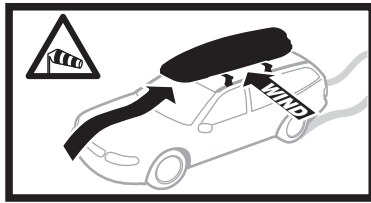
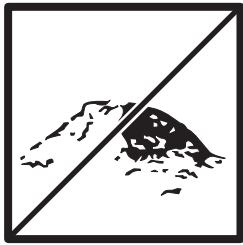
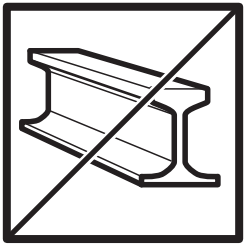


Thule Skicarrier



694900



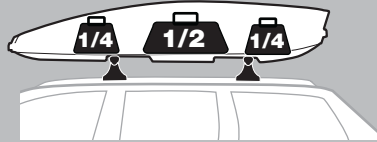
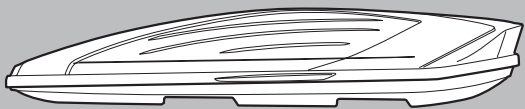


THULE
ONE KEY SYSTEM

- 544 (x4)
- 596 (x6)
- 588 (x8)
- 452 (x12)

1. Insert the key into the lock cylinder at a 45-degree angle.
2. Turn the key clockwise to the right.
3. Push the key into the lock cylinder.
4. Turn the key clockwise to the right.
5. Insert the key into the lock cylinder.
6. Turn the key clockwise to the right.
7. Push the key into the lock cylinder.
8. Turn the key clockwise to the right.

Excellence: 26 kg



**Max.
75 kg**

Kaufdatum/Date of purchase:

Kassenzettel hier abheften
Place receipt here

Händler/Dealer:

Stempel/stamp



Ihre Schlüsselnummer
Your Key-Number



--	--	--	--

THULE[®]
SWEDEN

Box 69, 330 33 Hillerstorp, SWEDEN
www.thule.com