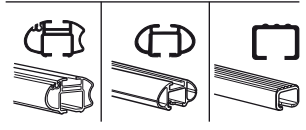
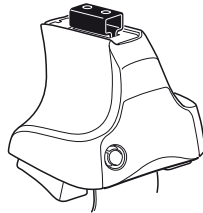


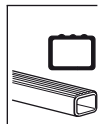
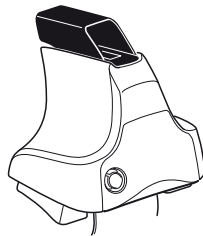
# Kit 1348

TOYOTA Hilux, 2-dr Single Cab, 05-  
TOYOTA Hilux, 2-dr X-tra Cab, 05-  
TOYOTA Vigo, 2-dr Single Cab, 04-  
TOYOTA Vigo, 2-dr X-tra Cab, 04-

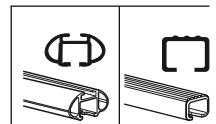
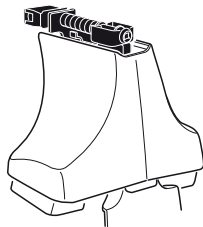
480R  
754



480



750



TOYOTA Hilux, 2-dr Single Cab, 05-  
TOYOTA Vigo, 2-dr Single Cab, 04-

Max.  
25kg/55 lbs

TOYOTA Hilux, 2-dr X-tra Cab, 05-  
TOYOTA Vigo, 2-dr X-tra Cab, 04-

Max.  
50kg/110 lbs

km/h  
Mph

THULE

Instructions Kit XXXX

480R/754

x1 x4 x4 x4

480

x1 x4 x4 x4

750

x1 x4 x4

x2 x2 x2 x4

x2

x2 x2 x2 x4 x4

x2 x2 x2 x2

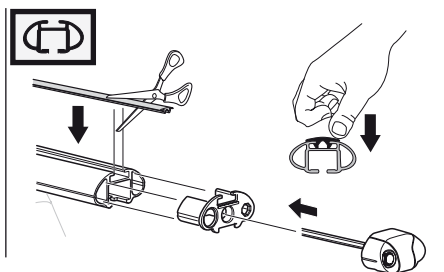
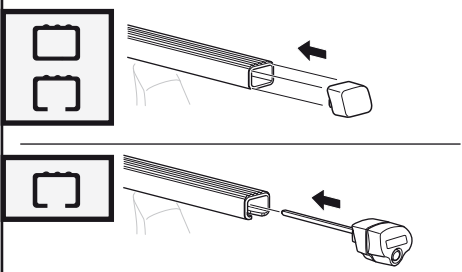
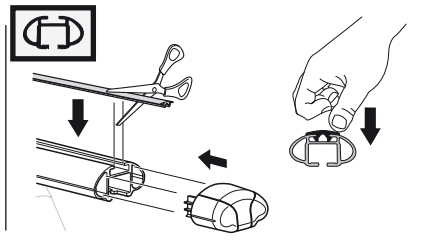
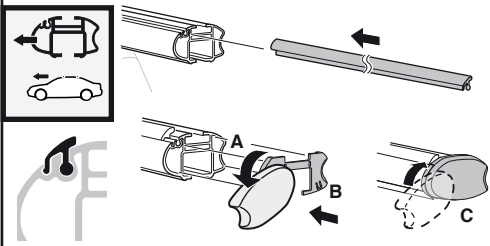
653 x2

657 x2

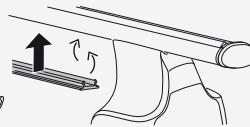
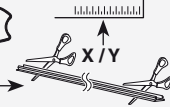
07 x4

FR FL RR RL x1

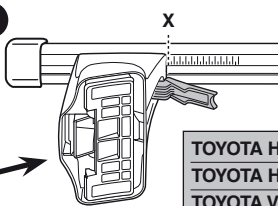
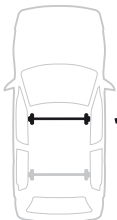
**Kit**



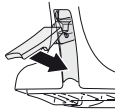
3



1

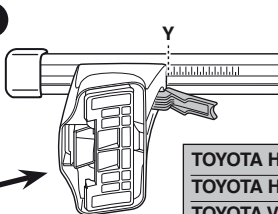


2



|                                    | X  |
|------------------------------------|----|
| TOYOTA Hilux, 2-dr Single Cab, 05- | 43 |
| TOYOTA Hilux, 2-dr X-tra Cab, 05-  | 43 |
| TOYOTA Vigo, 2-dr Single Cab, 04-  | 43 |
| TOYOTA Vigo, 2-dr X-tra Cab, 04-   | 43 |

1



2



|                                    | Y    |
|------------------------------------|------|
| TOYOTA Hilux, 2-dr Single Cab, 05- | -    |
| TOYOTA Hilux, 2-dr X-tra Cab, 05-  | 42,5 |
| TOYOTA Vigo, 2-dr Single Cab, 04-  | -    |
| TOYOTA Vigo, 2-dr X-tra Cab, 04-   | 42,5 |

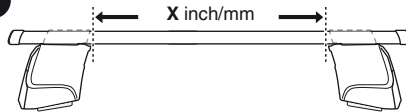


480R

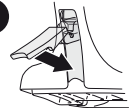


480

1

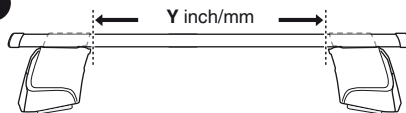


2



|                                    | X inch  | X mm    |
|------------------------------------|---------|---------|
| TOYOTA Hilux, 2-dr Single Cab, 05- | 42 1/2" | 1081 mm |
| TOYOTA Hilux, 2-dr X-tra Cab, 05-  | 42 1/2" | 1081 mm |
| TOYOTA Vigo, 2-dr Single Cab, 04-  | 42 1/2" | 1081 mm |
| TOYOTA Vigo, 2-dr X-tra Cab, 04-   | 42 1/2" | 1081 mm |

1



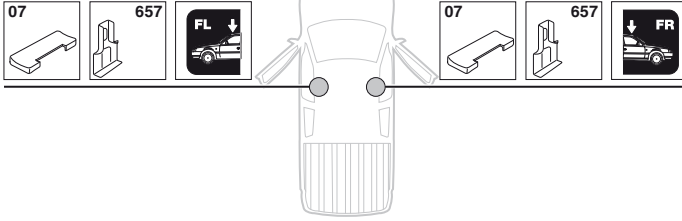
2



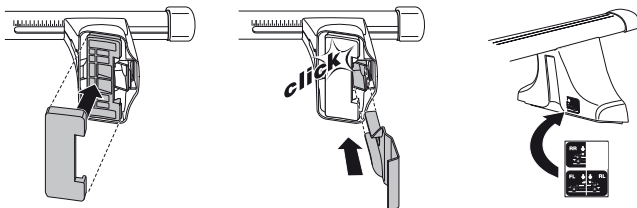
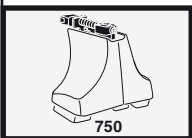
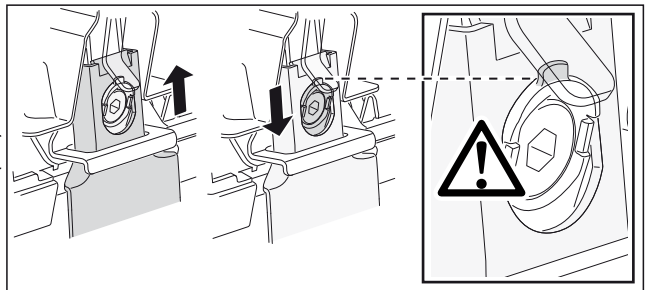
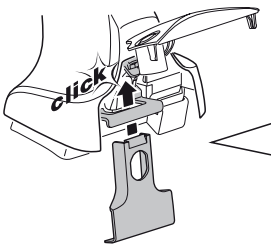
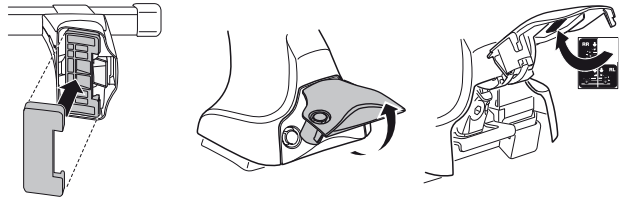
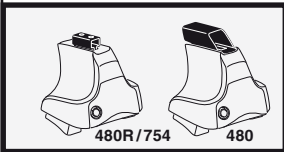
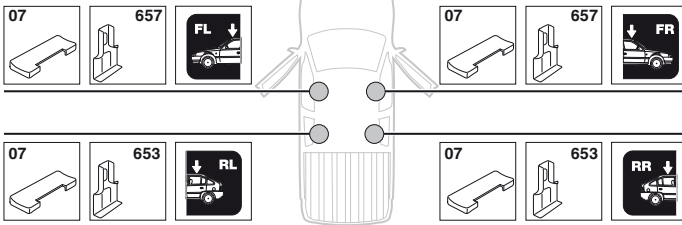
|                                    | Y inch  | Y mm    |
|------------------------------------|---------|---------|
| TOYOTA Hilux, 2-dr Single Cab, 05- | -       | -       |
| TOYOTA Hilux, 2-dr X-tra Cab, 05-  | 42 3/8" | 1076 mm |
| TOYOTA Vigo, 2-dr Single Cab, 04-  | -       | -       |
| TOYOTA Vigo, 2-dr X-tra Cab, 04-   | 42 3/8" | 1076 mm |

**4**

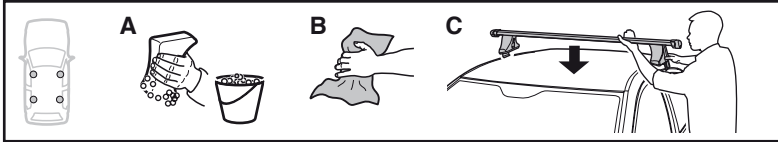
**TOYOTA Hilux, 2-dr Single Cab, 05–**  
**TOYOTA Vigo, 2-dr Single Cab, 04–**



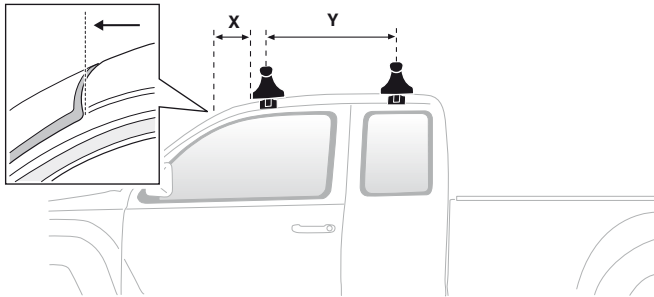
**TOYOTA Hilux, 2-dr X-tra Cab, 05–**  
**TOYOTA Vigo, 2-dr X-tra Cab, 04–**



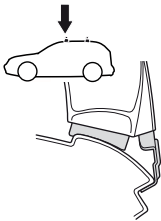
5



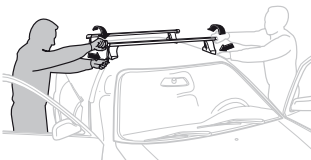
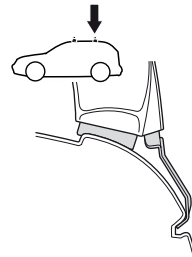
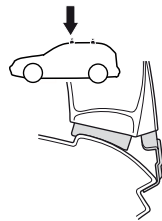
|                                    | X mm   | Y mm   | X inch                           | Y inch                           |
|------------------------------------|--------|--------|----------------------------------|----------------------------------|
| TOYOTA Hilux, 2-dr Single Cab, 05– | 270 mm | –      | 10 <sup>5</sup> / <sub>8</sub> " | –                                |
| TOYOTA Hilux, 2-dr X-tra Cab, 05–  | 270 mm | 700 mm | 10 <sup>5</sup> / <sub>8</sub> " | 27 <sup>1</sup> / <sub>2</sub> " |
| TOYOTA Vigo, 2-dr Single Cab, 04–  | 270 mm | –      | 10 <sup>5</sup> / <sub>8</sub> " | –                                |
| TOYOTA Vigo, 2-dr X-tra Cab, 04–   | 270 mm | 700 mm | 10 <sup>5</sup> / <sub>8</sub> " | 27 <sup>1</sup> / <sub>2</sub> " |



TOYOTA Hilux, 2-dr Single Cab, 05–  
TOYOTA Vigo, 2-dr Single Cab, 04–



TOYOTA Hilux, 2-dr X-tra Cab, 05–  
TOYOTA Vigo, 2-dr X-tra Cab, 04–



GB/US

Tighten alternately

D

Die Schrauben abwechselnd anziehen

F

Serrer alternativement chaque côté

NL

Afwisselend aan de linker- en de rechterkant aandraaien

I

Alternare il serraggio delle viti

E

Apretar alternativamente

PT

Aperte alternadamente

S

Dra åt växelvis

FIN

Kierrä vuorotellen

EST

Pinguldage vaheldumisi

LAT

Pielveiciet pamišus

LIT

Užsukinėkite pakaitomis

PL

Śruby dokręcaj naprzemiennie

RU

Затягивайте попеременно

CZ

Pokręťte багаžníka dokręcaj dokręcaj naprzemiennie.

SK

Dofahujte striedavo

SLO

Privijajte izmenično.

HR

Naizmjenično zategnite

HU

Egymástól függetlenül szorítandó

GR

Σφίγγετε εναλλάξ

TR

Dönüşümlü sıkın

中文

交替拧紧

한국어

번갈아 가며 조이십시오.

日本語

交互に締め付けてください。

ไทย

ขันนอตแบบสลับ

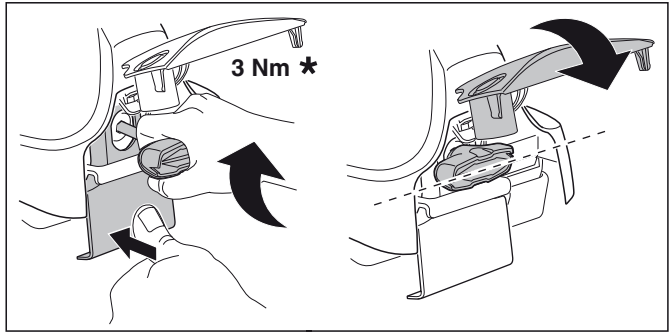
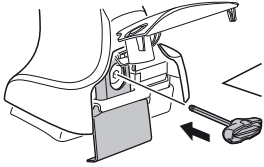
6



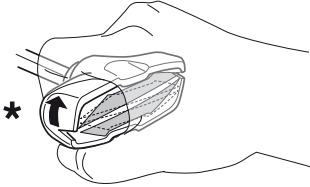
480R/754



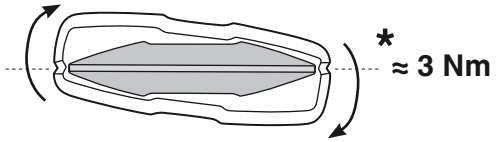
480



3 Nm \*



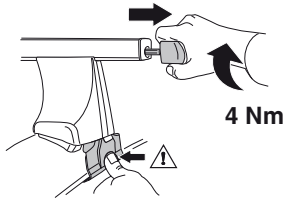
\*



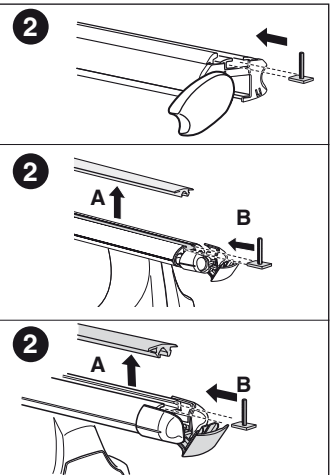
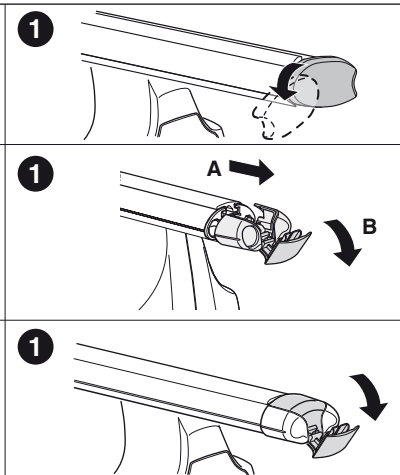
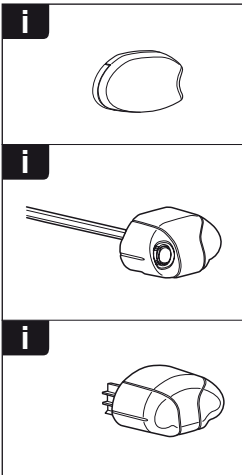
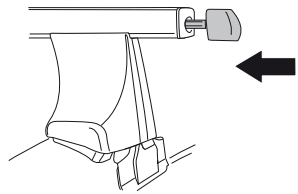
\* ≈ 3 Nm

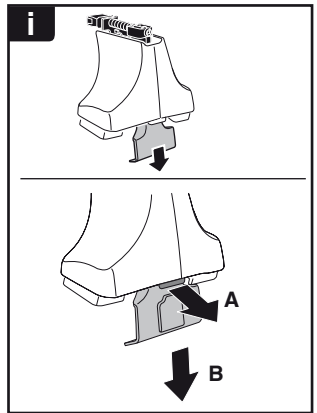
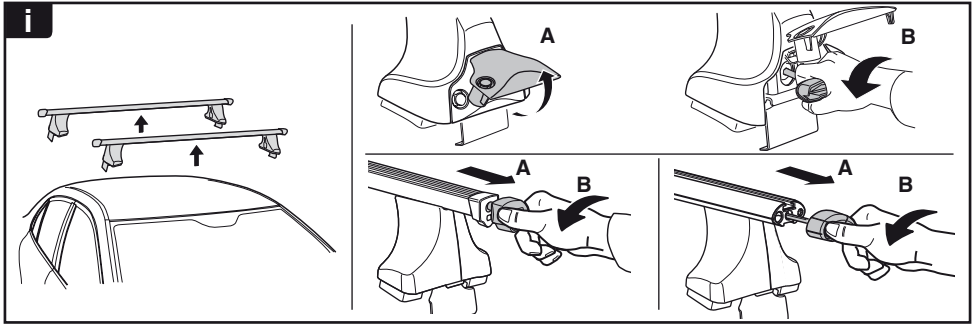


750



4 Nm





**THULE**  
SWEDEN  
**ONE  
KEY  
SYSTEM**



- 544 (x4)
- 596 (x6)
- 588 (x8)
- NA 510 (x10)
- EUR 452 (x12)
- ASIA

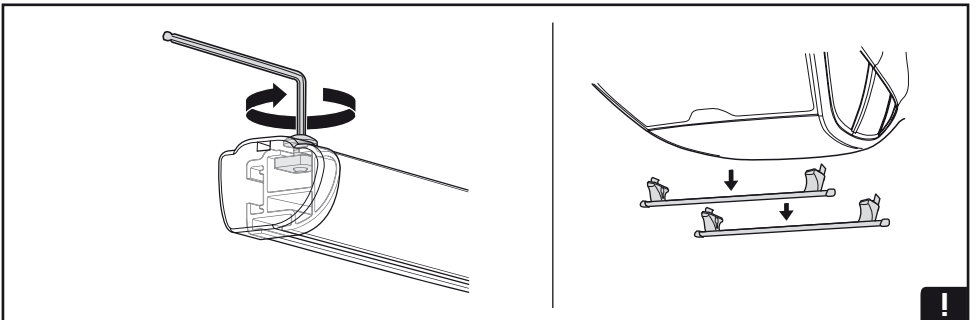
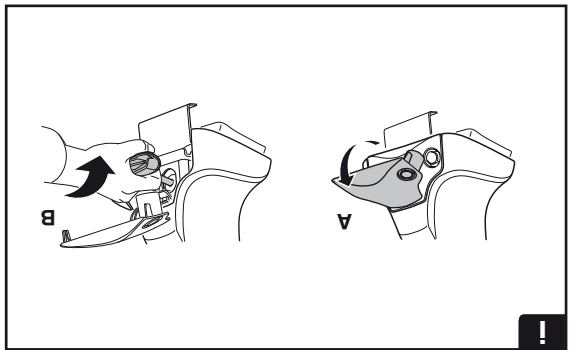
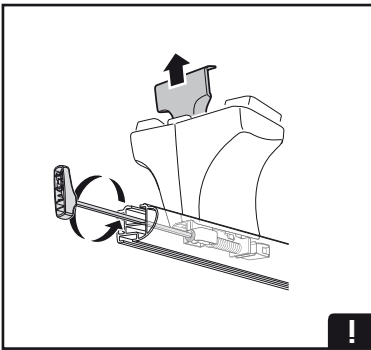
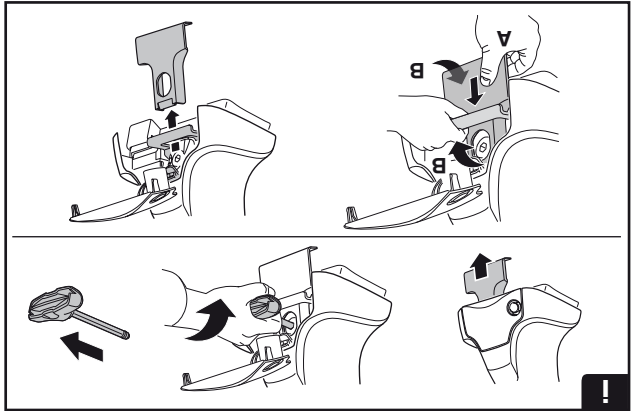
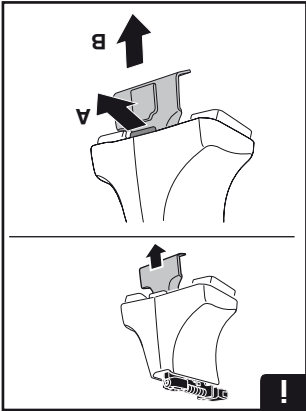


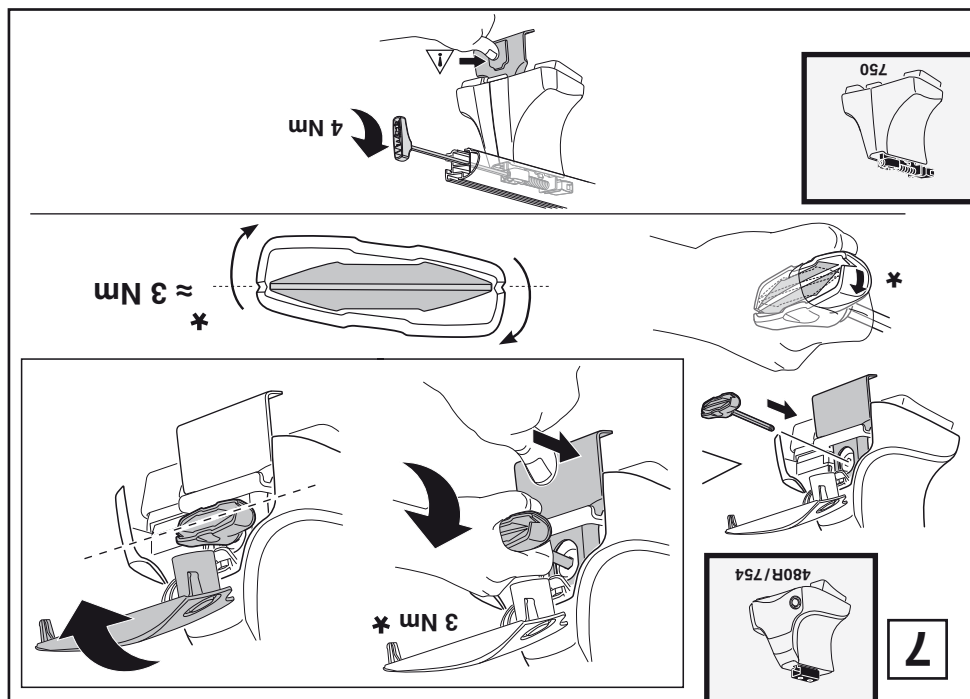
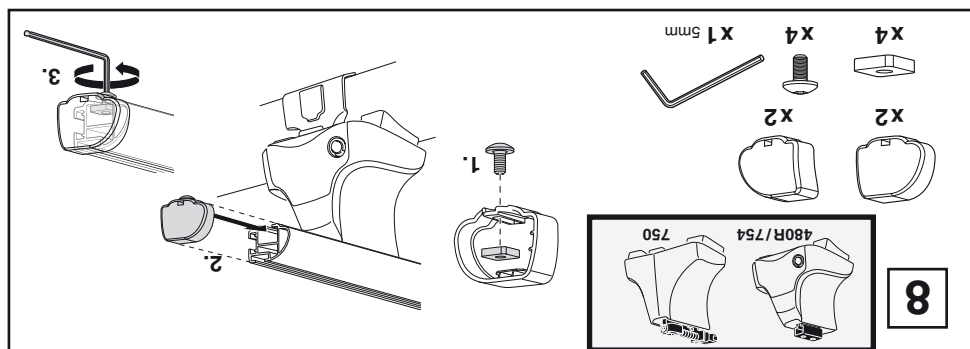
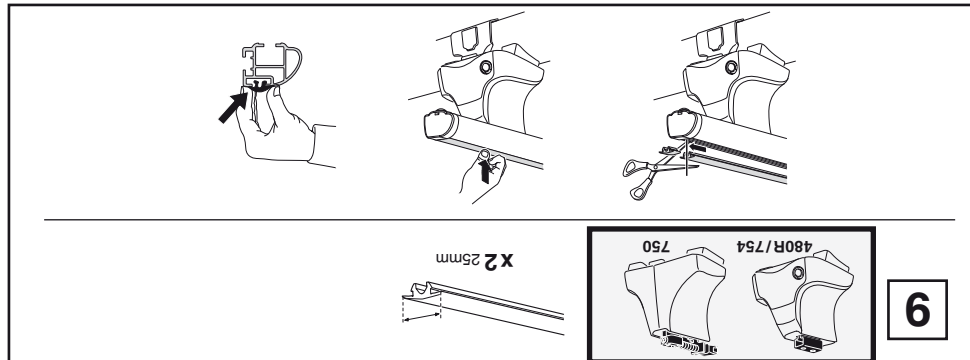
WW ▶ Thule Sweden AB, Box 69, 330 33 Hillerstorp, SWEDEN  
NA ▶ Thule Inc., 42 Silvermine Road, Seymour, Connecticut 06483, USA

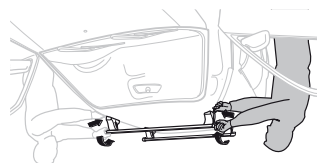
info@thule.com  
customer.service@thule.com

www.thule.com







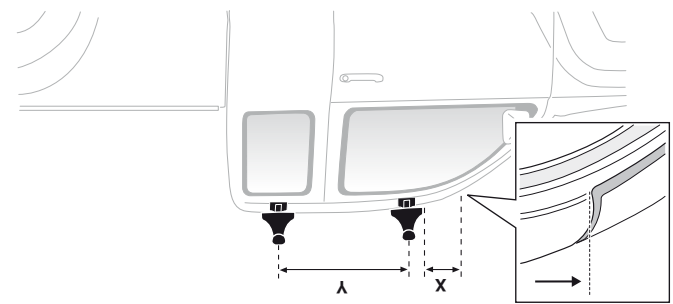
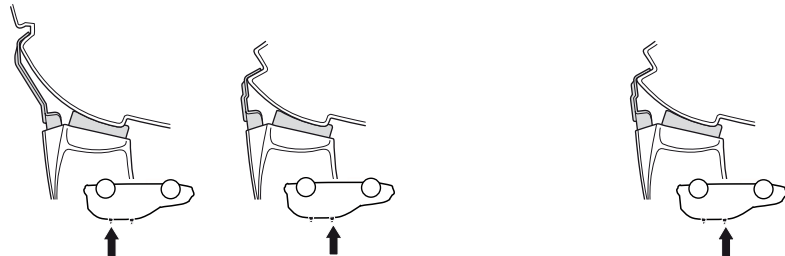


GB/US Tighen alternatively  
D Die Schrauben abwechselnd  
anziehen  
F Serrer alternativement chaque côté  
NL Afwisselend aan de linker- en de  
I Alternare il serraggio delle viti  
E Aprietar alternativamente  
PT Aperte alternativadamente  
S Dra át växelvis  
FIN Kierra vuorotellen  
EST Pinguldage vaheldumisi  
LAT Paveiciet pamāšus  
LIT Užskirkite pakaitomis  
PL Słubę dokręcaj naprzemiennie  
RU Затягивайте попеременно

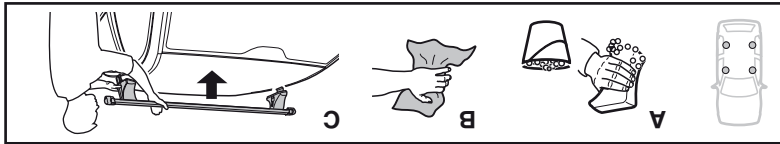
CZ Pokrétla bagazníka dokręcaj  
SK dokręcaj naprzemiennie.  
SLO Privaľajte zrnmično.  
HR Aftwisselend aan de linker- en de  
HU Alternare il serraggio delle viti  
GR Zpřiyete evadáč  
TR Donuşumlu sikiin  
中文 交替拧紧  
한국어 편갈아 가며 조이십시오.  
日本語 交互に締め付けてください。  
የገንዘብ ማስገባት

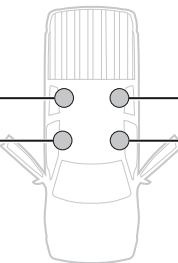
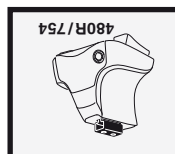
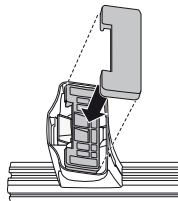
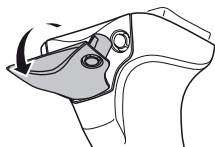
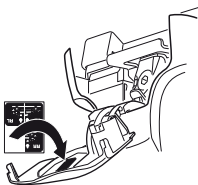
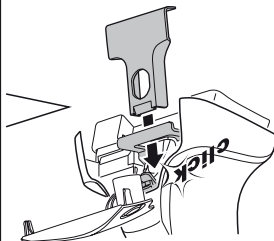
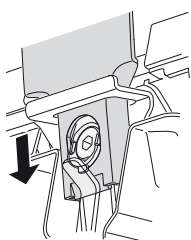
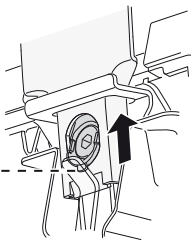
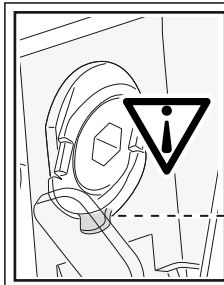
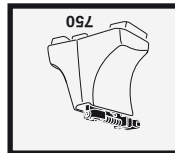
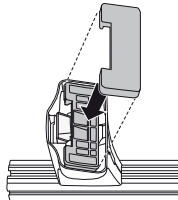
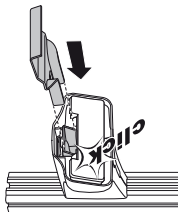
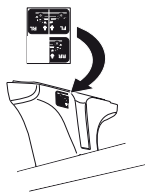
TOYOTA Hilux, 2-dr Single Cab, 05-

TOYOTA Hilux, 2-dr X-tra Cab, 05-  
TOYOTA Vigo, 2-dr X-tra Cab, 04-

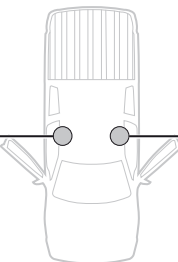


|                                    |        |        |         |         |
|------------------------------------|--------|--------|---------|---------|
| TOYOTA Hilux, 2-dr Single Cab, 05- | 270 mm | 700 mm | 10 5/8" | 27 1/2" |
| TOYOTA Hilux, 2-dr X-tra Cab, 05-  | 270 mm | 700 mm | 10 5/8" | 27 1/2" |
| TOYOTA Vigo, 2-dr Single Cab, 04-  | 270 mm | -      | 10 5/8" | -       |
| TOYOTA Vigo, 2-dr X-tra Cab, 04-   | 270 mm | 700 mm | 10 5/8" | 27 1/2" |

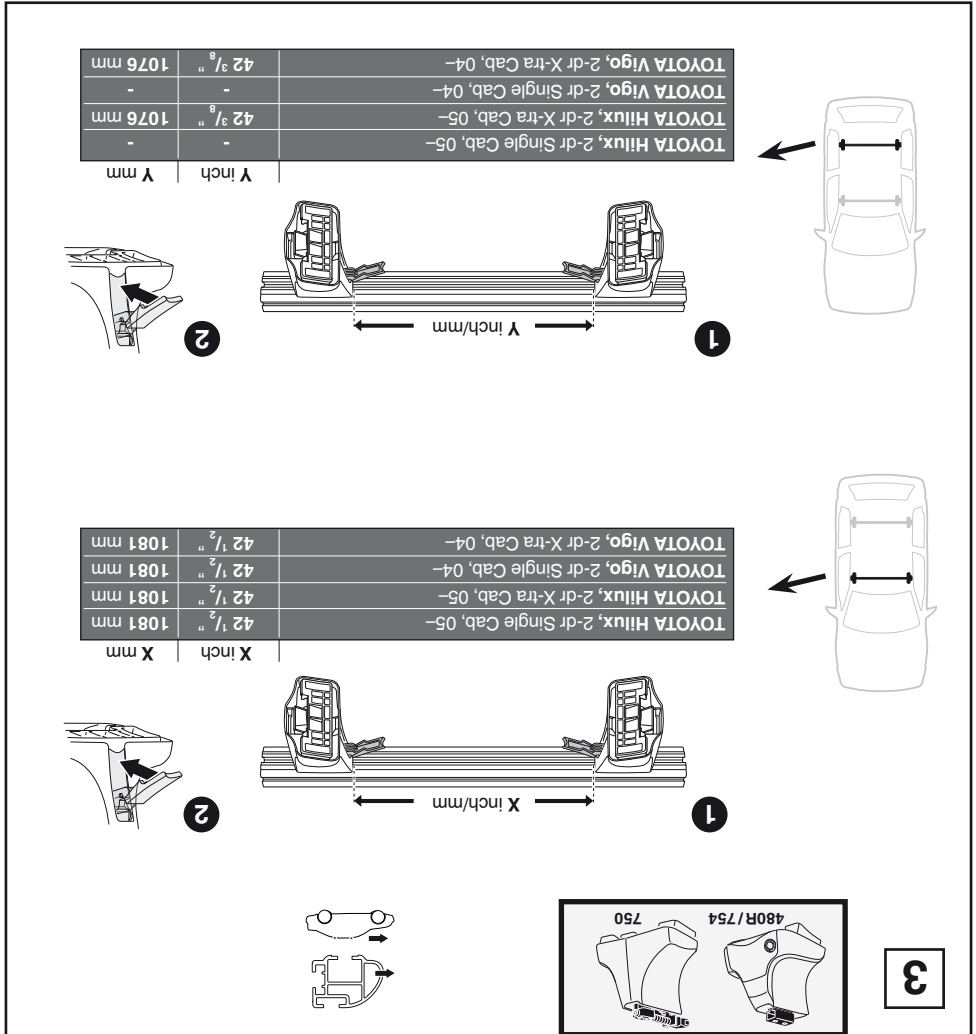
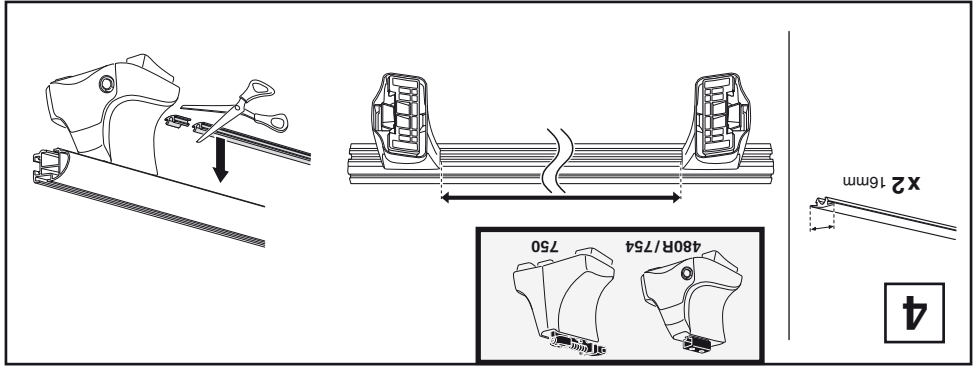


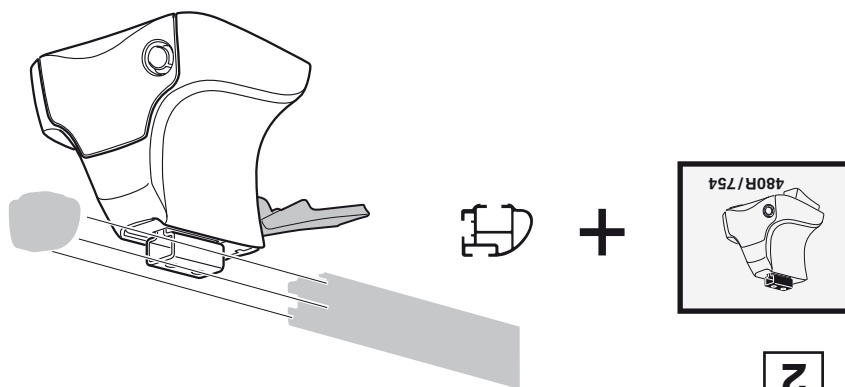
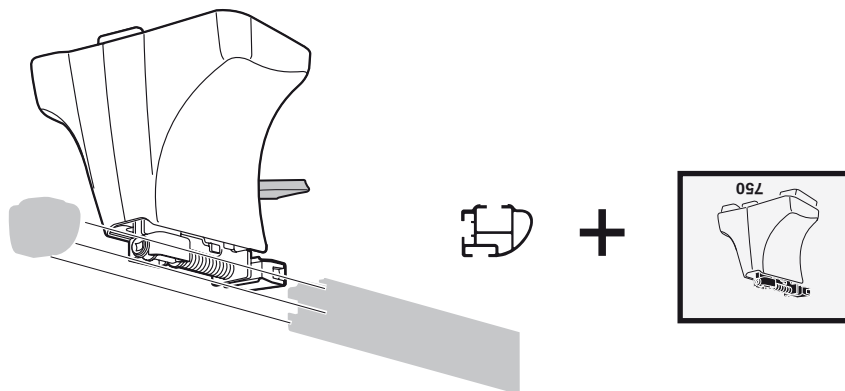


TOYOTA Hilux, 2-dr X-tra Cab, 05-  
TOYOTA Vigo, 2-dr X-tra Cab, 04-

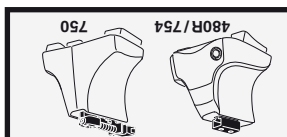
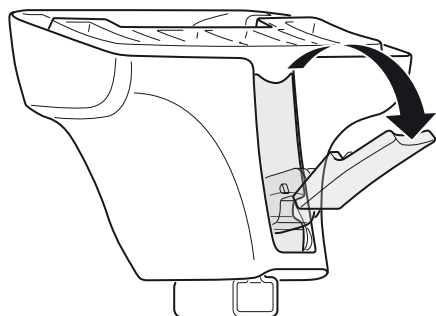


TOYOTA Hilux, 2-dr Single Cab, 05-  
TOYOTA Vigo, 2-dr Single Cab, 04-



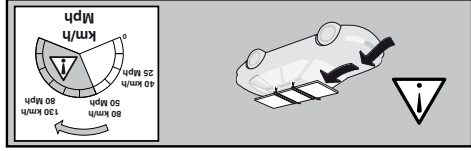
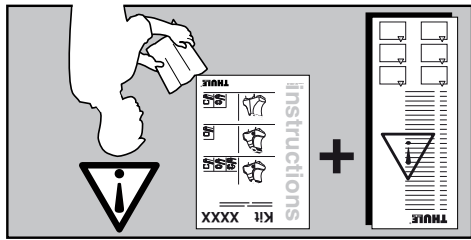
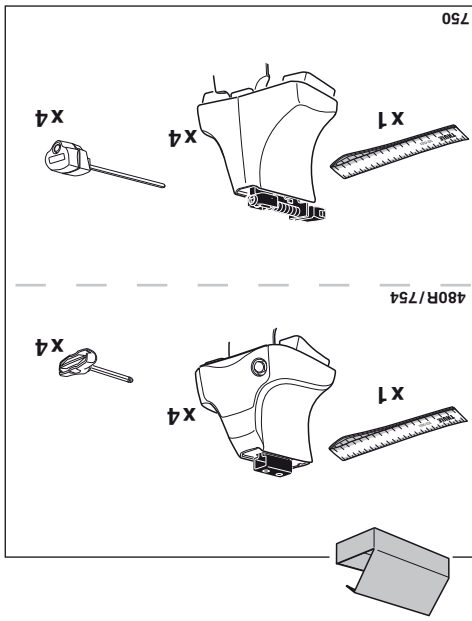
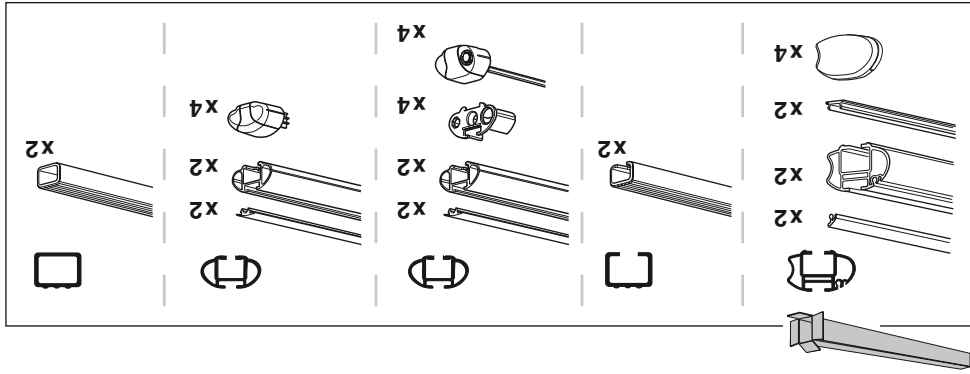
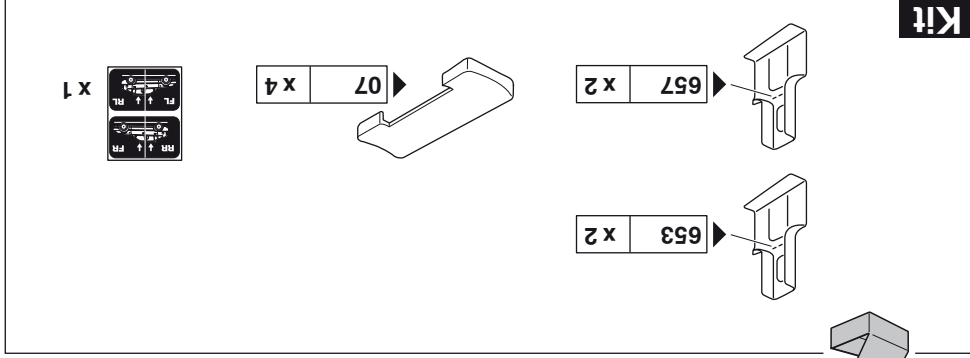


2



1

**Kit**



TOYOTA Hilux, 2-dr Single Cab, 04-  
 + 3,5 kg / xx lbs = Max. 25kg/55 lbs

TOYOTA Hilux, 2-dr X-ra Cab, 05-  
 + 7 kg / 15,4 lbs = Max. 50kg/110 lbs

TOYOTA Vigo, 2-dr X-ra Cab, 05-  
 + 3,5 kg / xx lbs = Max. 25kg/55 lbs

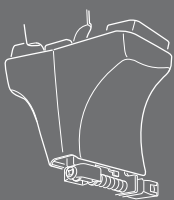
# instructions

20090713 503-1348

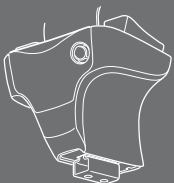
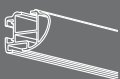
ISO 11154-E

PROFESSIONAL

**THULE**  
SWEDEN®



750



480R  
754



TOYOTA Hilux, 2-dr Single Cab, 05-  
TOYOTA Hilux, 2-dr X-tra Cab, 05-  
TOYOTA Vigo, 2-dr Single Cab, 04-  
TOYOTA Vigo, 2-dr X-tra Cab, 04-

# Kit 1348